



TC1100

Compact CCD reader

FEATURES

- Excellent reading capabilities
- Enhanced code reconstruction with the Puzzle Solver™ technology
- PDF417 bar code decoding (model TC1100-0200 only)
- Flexible interface "All in One" architecture: RS232, Wedge and Pen emulation
- DL Sm@rtSet: Windows-based programming tool
- Light weight
- Compact dimensions

APPLICATIONS

- Access control systems
- Chemical and biomedical analysis machines
- Automatic Tape Libraries (ATL)
- Self Service Systems (ATM, Kiosk)
- Game automation (Lotto, Lottery, etc.)
- Film processing machines

GENERAL DESCRIPTION

Datalogic's **TC1100 Compact CCD Reader** is the entry-level solution for many OEM applications. Due to its well-balanced mix of technical characteristics it is perfect for integration in custom equipment, setting a new standard in this product class.

The **TC1100** has excellent reading capabilities, scans very close to the output window with a wide reading area and extended DOF. Its high-performance CCD camera (3,648 pixels), which executes 270 scans/sec, combined with the **PUZZLE SOLVER™** technology, allows fast and accurate reading even when the codes are damaged or printed in low quality.

In addition its compact dimensions and light weight help reduce the overall dimensions and weight of the complete system.

The **TC1100's** ambient light immunity (100,000 lux) together with its reading capabilities allows installation in any condition reducing costs.

Furthermore, due to the absence of any moving parts, the **TC1100** grants a MTBF of 240,000 hours (Mean Time Between Failures) drastically reducing any maintenance costs.

The "All in One" communication system (RS232, Wedge and Pen Emulation) and the optocoupled Input and Output lines permit easy and flexible interfacing with any kind of controller.

The optional 80° deflection mirror for side reading installations reduces the overall space needed, making even contact reading possible.

The **TC1100** can be programmed by software commands sent via RS232 or with the intuitive configuration software **DL Sm@rtSet**.



MODELS AND ACCESSORIES

MODEL	DESCRIPTION	ORDER NO.
TC1100-0100	CCD scan engine, linear	939501000
TC1100-0200	CCD scan engine, PDF	939501010
TC1100-1100	CCD scanner, linear	939501020
TC1100-1200	CCD scanner, PDF	939501030
ACCESSORIES		
TC1100 User manual + Configurator SW		93ACC1670
GFC-TC1100	80 degree mirror	93A201101

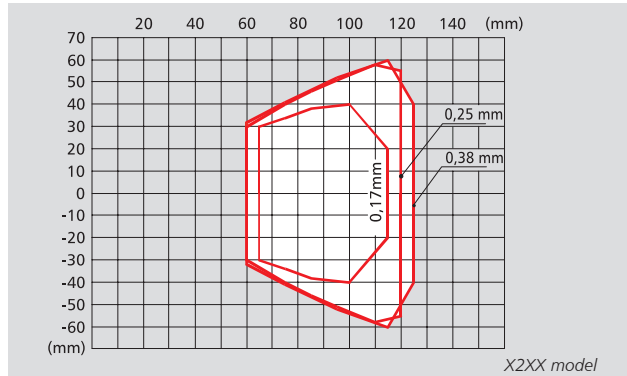
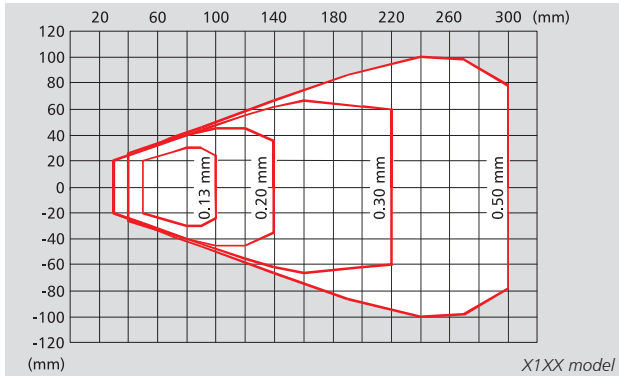
SPECIFICATIONS

POWER SUPPLY SCAN RATE POWER CONSUMPTION READING RANGE SENSOR DECODER TYPE LIGHT SOURCE MAX RESOLUTION READABLE CODES	5Vdc ± 5% 270 scans/sec. 1.5W 35 to 305 mm CCD Solid state (3648 pixels) Built-in 4 LED, Red light 630nm 0.076mm (3mils) 2/5 family, Code 39, EAN/UPC, EAN128, Code 128, Code 93, CODABAR, TELEPEN, PLESSEY, Code MSI, Code Delta IBM, Code 11 CODABLOCK, Code 16K, Code 49 PDF417	PROGRAMMING METHOD Automatic (via RS232) DL Sm@rtSet ENHANCED FEATURES AMBIENT LIGHT IMMUNITY DIMENSIONS (0XXX models) (1XXX models) CASE MATERIAL CABLE LENGTH CONNECTOR TYPE OPERATING TEMPERATURE STORAGE TEMPERATURE HUMIDITY VIBRATION RESISTANCE (1XXX models only) SHOCK RESISTANCE (1XXX models only)	SW commands through the serial port Windows configuration program Puzzle Solver™ Up to 100.000 lux 63 x 60.5 x 27mm (2.48" x 2.38" x 1.06") 70.7 x 68.6 x 30.5mm (2.70" x 2.78" x 1.20") ABS (1XXX models only) 100 cm (39.3 in.) 25 pins, D-Shell female 0 to 50 °C (32 to 122 °F) -20 to 70 °C (-4 to 158 °F) 90% non-condensing IEC 68-2-6 test FC 1.5mm; 10 to 55 Hz; 2 hours on each axis IEC 68-2-27 test EA 30 G; 11 ms; 3 shocks on each axis
--	--	--	--

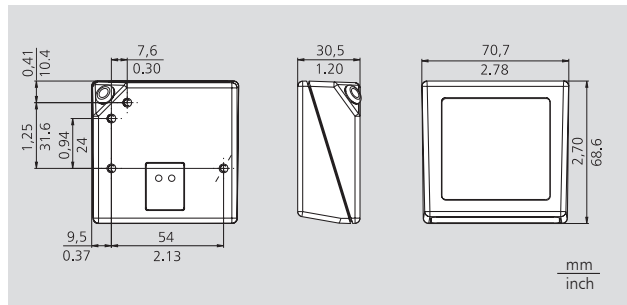
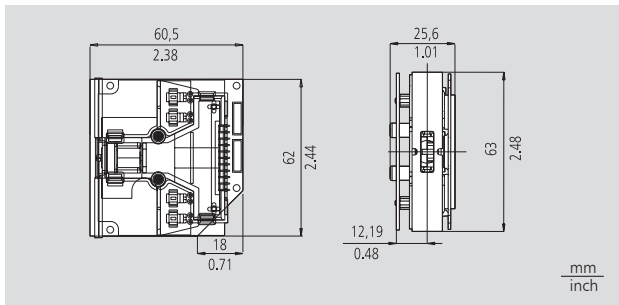
(X200 model only)
INTERFACES
 INPUT SIGNAL
 OUTPUT SIGNAL
 LED INDICATOR

RS232, Wedge, Pen emulation
 Trigger (optocoupled)
 Good Read (optocoupled)
 'Power On'; 'Good Read'

READING DIAGRAMS



DIMENSIONS



Product and company names and logos referenced may be either trademarks or registered trademarks of their respective companies.

We reserve the right to make modifications and improvements

Datalogic S.p.A.
Italy
 Corporate Headquarters
 Tel. +39 051/3147011
 Fax +39 051/726562
 info@datalogic.it

Australia
 Datalogic PTY LTD.
 Tel. +61 3/95589299
 Fax +61 3/95589233
 sales@datalogic.com.au

Austria
 Datalogic Handelsges. mbH
 Tel. +43 2236/258820
 Fax +43 2236/258825
 office@datalogic.co.at

Denmark
 Datalogic A8
 Tel. +45 44/209970
 Fax +45 44/209972
 info@datalogic.se

France
 Datalogic France S.A.
 Tel. +33 1/60921111
 Fax +33 1/60921340
 info@datalogic.fr

Datalogic Quality Partner

Sales Italy
 Tel. +39 051/3147300
 Fax +39 051/726562
 venditeitalia@datalogic.it

Germany
 Datalogic GmbH
 Tel. +49 7026/6080
 Fax +49 7026/5746
 info@datalogic.de

Japan
 Izumi Datalogic Co., Ltd.
 Tel. +81 78/3033400
 Fax +81 78/3033402
 idlmarke@izumi-datalogic.co.jp

Netherlands
 Datalogic Optic Electronics BV
 Tel. +31 346/572888
 Fax +31 346/568736
 info@datalogic.nl

Spain
 Datalogic Iberia
 Tel. +34 91/3837755
 Fax +34 91/3837962
 dliberia@datalogic.it

Sales International
 (Central and South America,
 Far East, Middle East - Africa)
 Tel. +39 041/5986511
 Fax +39 041/5986550
 sales-intl@datalogic.it

Sweden
 Datalogic AB
 Tel. +46 40/385000
 Fax +46 40/385001
 info@datalogic.se

United Kingdom
 Datalogic UK Ltd.
 Tel. +44 1582/464900
 Fax +44 1582/464999
 enquiries@datalogic.demon.co.uk

U.S.A.
 Datalogic Inc.
 Tel. +1 859/6897000
 Fax +1 859/3344970
 info@datalogic.com

